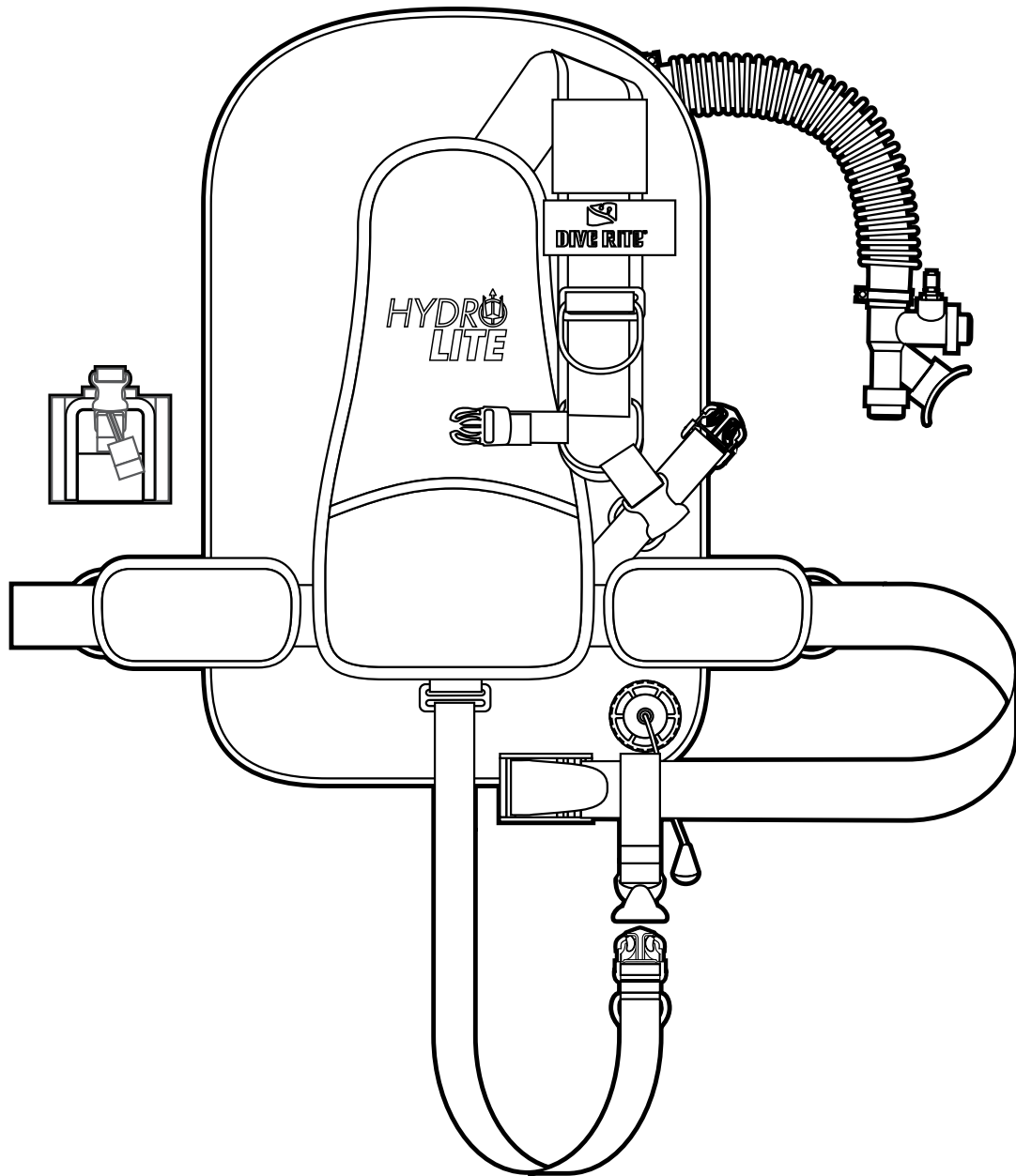


# Hydro Lite Owner's Manual



**DIVE RITE®**



## Congratulations...

...on your Dive Rite BC purchase. Inspired by a technical soft backplate and wing design, the Hydro Lite offers all-in-one convenience without sacrificing features. Ideal for traveling divers, the Hydro Lite comes in at only 2.7 kg/6 lbs with a small footprint for packing.

It is designed, manufactured and tested for the highest possible performance and reliability. With proper use and maintenance outlined in this manual it will provide you with many years of outstanding service.

## Web Resources

As you read through this manual watch for pointers and helpful tips from the Dive Rite pros. To access our complete library and helpful videos on Dive Rite TV, go to [www.DiveRite.com](http://www.DiveRite.com).

## Product Updates

For product updates and new product release notifications, sign up for the Dive Rite newsletter and follow us on Facebook at [www.facebook.com/diverite84/](http://www.facebook.com/diverite84/).

Dive Rite, Inc.  
175 NW Washington Street  
Lake City, FL 32055

(800) 495-1046 (USA Toll-Free)  
+ 001 (386) 752-1087 (Outside North America)



## Contents (Click to go to page)

- 1.0 Important Warnings ..... 1**
- 2.0 General Information..... 5**
- 3.0 Harness/Air Cell Features ..... 6**
  - 3.1 Technical Specifications ..... 8
  - 3.2 Air Cell ..... 9
  - 3.3 Integrated Weight System..... 10
- 4.0 Sizing ..... 12**
  - These sizes correspond to men’s t-shirt sizes and provide a good indication of which size Hydro Lite may be best for you. For more detailed information on how to achieve the best Hydro Lite fit, visit [www.DiveRite.com](http://www.DiveRite.com). ..... 12
  - 4.1 Shoulder Pads ..... 12
- 5.0 Attaching Single Cylinders..... 13**
  - 5.1 Tank Height Adjustment Strap ..... 15
  - 5.2 Threading the Cam Buckle..... 15



**6.0 Donning/Adjusting Your BC ..... 19**  
 6.1 Donning Your BC ..... 19  
 6.2 Adjusting Your BC..... 20

**7.0 BC Inflation and Deflation ..... 22**  
 7.1 Connecting the Low-Pressure Inflator..... 22  
 7.2 Low-Pressure Inflator Operation..... 23  
 7.3 Oral Inflation ..... 23  
 7.4 BC Deflation..... 24

**8.0 Pre/Post-Dive Procedures ..... 27**  
 8.1 Pre-Dive Inspection/Valve Test ..... 27  
 8.2 Post-Dive Cleaning ..... 29  
 8.3 Transportation, Storage and General Protection..... 30  
 8.4 Inspection and Service Interval..... 30

**9.0 Warranty ..... 31**



**Important:** Your Hydro Lite will have a sewn-in label that lists both the serial number and year of manufacture. Record this information in the space provided in the back of this manual. *Do not* detach these labels, as they are essential for warranty service.



# 1.0 Important Warnings

## WARNING

Read this manual carefully before diving with the Hydro Lite so that you thoroughly understand this user manual and all other warnings that accompany the product. Retain this manual for as long as you own your BC. If you do not understand any part of this manual, contact Dive Rite at (386) 752-1087 or [Support@DiveRite.com](mailto:Support@DiveRite.com).

## WARNING

Make sure you fully understand this BC's features and function, and adjust the straps correctly before diving. If in doubt, ask your authorized Dive Rite dealer for help.

## WARNING

Before diving, you should have the proper training from a qualified instructor and obtain certification from a recognized training agency. Your training should include a minimum of entry-level open water scuba diver training, mastering the basic skills of buoyancy control, the use of buoyancy control devices (BCs), oral inflation of BCs, low-pressure inflation of BCs, and deflation of BCs using a variety of methods.

**! WARNING**

This manual *is not* a substitute for diver training from a recognized diver training organization. Failure to obtain training and certification in safe diving practices can lead to serious personal injury or death.

---

**! WARNING**

If you wear a weight belt with the Hydro Lite, you must fasten the crotch strap first and then put the weight belt on over it. Failure to do so may hinder your ability to release the weight belt in an emergency. This, in turn, can cause serious injury or death.

---

**! WARNING**

Changes to the Hydro Lite, or use of after-market accessories, can prevent its proper function or result in damage to the BC. This can cause serious personal injury or death.

---

**! WARNING**

The Hydro Lite is *not* a United States Coast Guard approved personal flotation device (PFD). The BC will *not* provide face-up flotation for all users and conditions.

---

**! WARNING**

The Hydro Lite should not be used as the sole form of flotation; divers should have additional forms of flotation, such as wet suits or dry suits, to provide buoyancy in case they need to abandon the BC or it malfunctions.

---

**! WARNING**

The Hydro Lite is not a lift bag. Attempting to use it as such places a diver at extreme risk for dangerous, uncontrolled ascent.

---

**! WARNING**

This BC is not a breathing device. *Never breathe from the BC.* Your BC may contain gas residue, liquid, or contamination that may result in serious personal injury or death if inhaled.

---

**! WARNING**

In accordance with European standards, Dive Rite BCs can only be considered certified where all components are present, as per the original Dive Rite configuration. Any variation of the original configuration invalidates conformity to European certification standards.

---



- Use this equipment according to the instructions contained in this manual and only after having completely read and understood all instructions and warnings.
- Use of this equipment is limited to the uses described in this manual or for applications approved in writing by Dive Rite.
- Cylinders must only be filled with atmospheric compressed air, according to the EN 12021 norm. Should moisture be present in the cylinder, beside causing corrosion of the cylinder, it may cause freezing and subsequent malfunction of the equipment during dives carried
- In temperatures lower than 10° C/50° F, cylinders must be transported according to local rules provided for the transport of dangerous goods. Cylinder use is subjected to the laws regulating the use of gases and compressed air.
- This equipment must be serviced by qualified personnel at the prescribed intervals. Repairs and maintenance must be carried out by an Authorized Dive Rite Dealer service facility and with the exclusive use of original Dive Rite parts.
- Dive Rite equipment must be serviced at recommended intervals by a qualified technician. Failure to service Dive Rite equipment at recommended intervals or by untrained individuals will void the warranty and can lead to serious injury or death.



- Any components replaced on a Dive Rite product must be replaced with genuine Dive Rite parts.
- Use of Dive Rite equipment for purposes other than their intended use can lead to serious injury or death.
- The content of this manual is based upon the latest information available at the time of printing. Dive Rite reserves the right to make changes at any time.
- All dives must be planned and carried out so that at the end of the dive the diver will still have a reasonable reserve of air for emergency use. The suggested amount is generally no less than 50 bars/725 psi.

Dive Rite refuses all responsibility for damages caused by non-compliance with the instructions contained in this manual. These instructions do not extend the warranty or the responsibilities stated by Dive Rite terms of sales and delivery.

## **WARNING**

Always perform a pre-dive and post-dive inspection of the BC.

## **2.0 General Information**

- A BC harness and air cell can serve many functions. Chief among them:
- The harness serves as the primary attachment point for single cylinders, as well as incorporating an integrated weight system.



- The air cell and low-pressure inflator can be used to help offset buoyancy loss due to wet suit or dry suit compression. The air cell *is not*, however, intended to compensate for intentional overweighting.
- The air cell can also be used to facilitate resting or swimming at the surface. It *is not* intended to substitute, however, for overweighting or failure to have reserve buoyancy in the form of a wet suit or dry suit.

### 3.0 Harness/Air Cell Features

A mountaineering style harness guarantees that the Hydro Lite is as comfortable out of the water as in it. The harness is designed to distribute the load to the hips and alleviate added stress to the back and shoulders. Standard 50 mm/2 in webbing allows the diver to add or remove any D-rings or accessories to customize the BC. For added stability the harness features a 38 mm/1.5 in crotch strap.

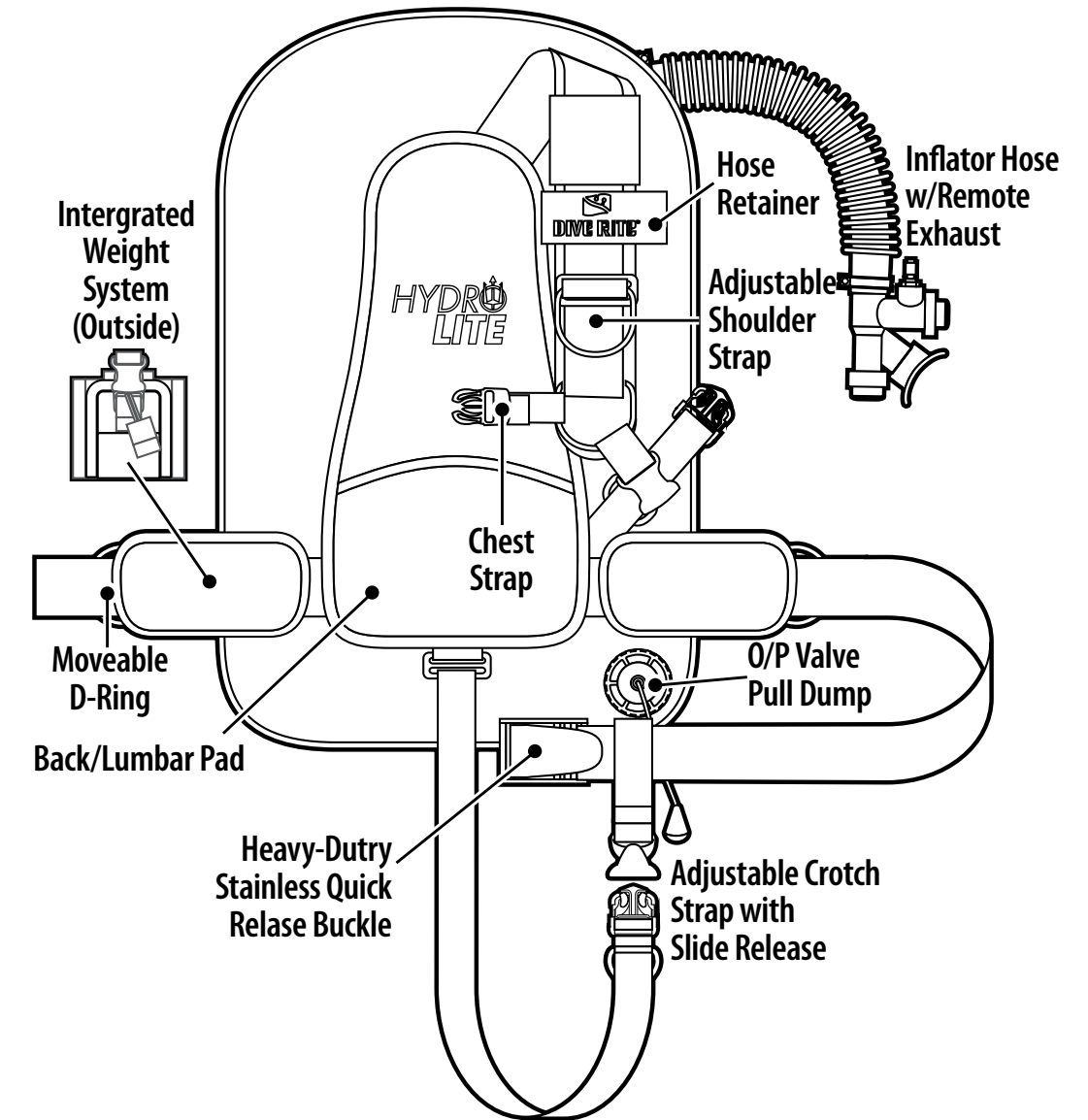


Figure 3a: Hydro Lite harness features

- The dual-density foam hip pads hug the lower back giving critical support and cushioning. Narrow, double-foam shoulder pads fit perfectly beneath the 50 mm/2.0 in shoulder webbing to give chafe-free comfort.
- The high-tech, molded foam lumbar pad is contoured in all the right places with mesh airflow channels for instant draining topside. Chest support strap provides ultimate load distribution and when used with the removable, 38



mm/1.5 in crotch strap provides outstanding stability and comfort in the water.

- Integrated, quick-release weight pockets.
- Neutrally buoyant, the Hydro Lite weighs less than 2.7 kg/6.0 lbs and packs flat for travel. Optional weight pockets slide easily onto the waist belt.

### 3.1 Technical Specifications

- Shoulder straps feature pivot rings at chest level for load distribution and acetyl resin quick release buckles for easy doff and don
- Acetyl resin engineered plastic quick release buckles on the 50 mm/2.0 in nylon webbing rated at 3,175 kg/7,000 lbs breaking strength forms the shoulder and waist straps.
- 91 cm/36 in cam strap with lightweight marine grade stainless steel roller buckle.
- Marine-grade, stainless steel hardware.
- A 38 mm/1.5 in crotch strap side-release buckle is standard.
- Made in the USA.

#### Shelf life

Shelf life is seven years for a new, unused BC when deflated and stored in a sealed container or bag at typical room temperature, with no exposure to UV.

#### Operating Temperature Range

- Air: -20° C to +50° C/-4° F to 122° F
- Water: -2° C to +40° C/28 °F to 104° F



## WARNING

Special instruction in cold water diving methods, and the specific use of this product in cold water, is required prior to cold water diving (temperatures below 10° C/50° F. This instruction is beyond the scope of this manual.

### Low-Pressure Inflator Mechanism

- LP hose and Pneumatic Inflation Valve operating pressure: 6.5-13.8 bars/95-200 psi
- Low-Pressure inflator hose threads: 3/8-24 UNF
- O-Rings/Seals: EPDM, Buna/Nitrile, Silicone

### 3.2 Air Cell

- An integrated 13.6 kg/30 lb lift air cell provides adequate lift for a diver, tank and weights; while maintaining a streamlined shape.
- The air cell itself is protected by a heavy-duty outer shell. This helps prevent damage due to punctures or abrasion.
- Its oval shape hugs the cylinder preventing the air cell from wrapping around the tank like taco shell, trapping air.
- The Hydro Lite uses a *rapid exhaust* power inflator assembly on the left shoulder and an over-pressure valve, pull dump on the lower left.



## **WARNING**

This product is designed for use with gas mixtures containing no more than 40% oxygen. Use of mixtures with increased oxygen or the addition of helium or other substances may cause corrosion, deterioration, premature aging or component failure. This can result in loss of buoyancy or compromise the integrity of the BC, resulting in injury or death. Non-standard gas mixtures may also present a risk of fire or explosion. Use only mixtures containing no more than 40% oxygen.

### 3.3 Integrated Weight System

The Hydro Lite features an integrated 5.4 kg/12 lb weight system with quick-release pulls. Without the use of additional holsters or larger pull handles, the integrated weight system does not add any bulk to the BC.

- Weights load from the bottom. Secure by closing the flap and securing the side-release fastener.
- To drop weights, pull down sharply on the red tab while in a near-vertical position.

Each weight pocket can hold up to 3.7 kg/6 lbs. Use any combination of soft and/or solid weights.

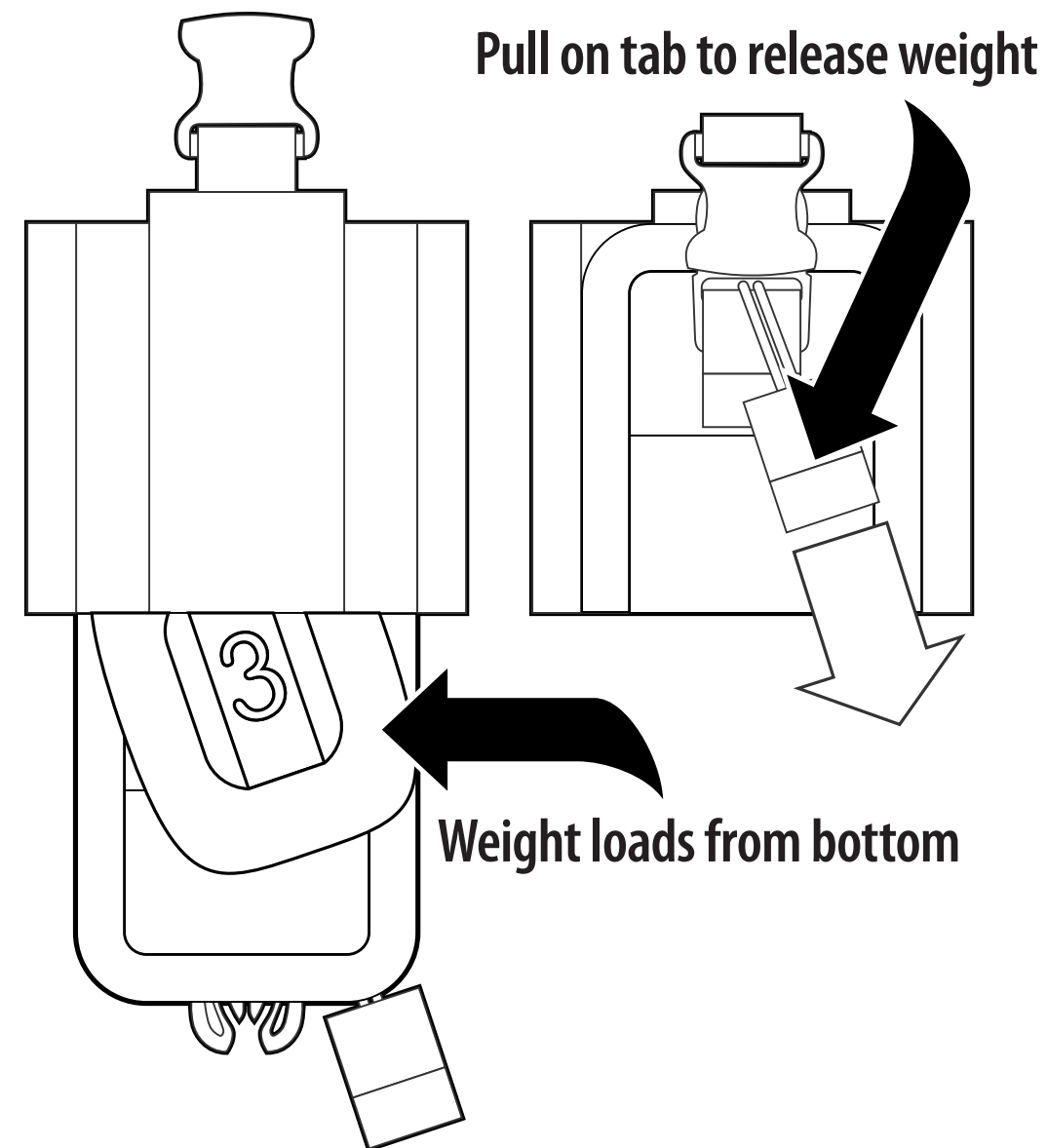


Figure 3b: Weight system operation

## **WARNING**

Overfilling weight pockets can result in the inability to drop weight in an emergency. This can, in turn, lead to serious personal injury or death. Make sure the weights you load can drop out freely before closing the weight pocket flap.





## 4.0 Sizing

The Hydro Lite is available in the following sizes:

- Small (S)
- Medium (M)
- Large (L)
- Extra Large (XL)
- Extra-Extra Large (XXL)

These sizes correspond to men's t-shirt sizes and provide a good indication of which size Hydro Lite may be best for you. For more detailed information on how to achieve the best Hydro Lite fit, visit [www.DiveRite.com](http://www.DiveRite.com).

### 4.1 Shoulder Pads

Shoulder pad length determines the size of the harness. The shoulder pad terminates on the chest at the pivot point for the chest strap and sideplate straps. A size change on the shoulder pads is 50 mm/2.0 in from size to size.

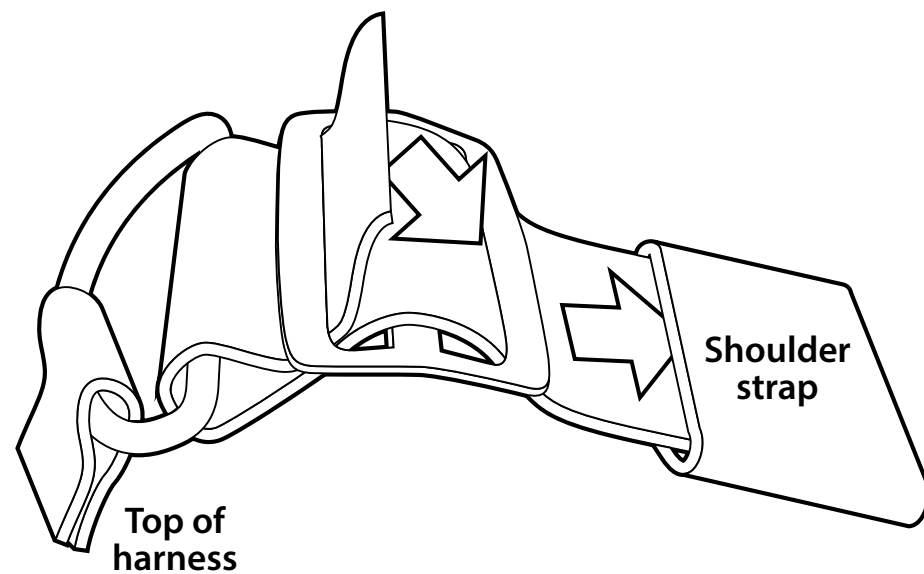


Figure 4: Shoulder strap adjustment



- For men, shoulder pads should terminate on the chest around the nipple line. If you are in between sizes, it's easy to adjust the shoulder pads by moving them forward one 25 cm/1.0 in. If you need to adjust it 50 cm/2.0 in or more you should move up a size. Remember, moving up a size is only changing the shoulder pad length.
- For women the shoulder pad should terminate just above the bust line for a proper fit.
- All harnesses leave the factory adjusted for average fit. You may need to do some adjustments to get the most comfort and stability. For sizing questions or concerns, contact Dive Rite at (386) 752-1087 or [Support@DiveRite.com](mailto:Support@DiveRite.com).

**Video:** To understand how a Hydro Lite should fit and see the critical fitting points, go to [www.DiveRite.com/DiveRiteTV](http://www.DiveRite.com/DiveRiteTV) and see our how-to videos.

## 5.0 Attaching Single Cylinders

For added stability the Hydro Lite features dual tank straps, as well as a tank height adjustment strap.

- The top strap features Dive Rite's stainless-steel roller buckle cam strap.
- The bottom strap is a quick-adjust Velcro retainer. Its function is to keep the tank aligned with the harness; it is not a load-bearing strap.



Figure 5a: Tank straps

## WARNING

Before each use, check the Hydro Lite's bands, straps, quick-release buckles and the hip pad/waist strap for wear. Have an authorized Dive Rite dealer replace worn or damaged items before use. Failure to replace worn or damaged tank buckles and bands could lead to loss of tanks or of the BC assembly itself. This could lead to serious injury or death.



## 5.1 Tank Height Adjustment Strap

What appears to be a carrying handle near the top of the air cell is actually what is known as a *tank-height adjustment strap*. It is designed to do two things:

- Once adjusted, it helps ensure the tank sits at the same height every time you assemble your scuba unit.
- During the assembly process, it helps support the weight of the BC while you adjust and tighten the cam strap.



Figure 5b: Tank height adjustment strap

## 5.2 Threading the Cam Buckle

The buckle assembly on Hydro Lite cam bands works largely the same as most other cylinder cam bands. You may, however, notice some differences.

- The buckle itself is made from a solid piece of stainless steel. As such, it cannot break or fail the way plastic buckles sometimes do.
- Nylon rollers at the base of the buckle help ensure smoother operation, protect the tank finish and made it easier to securely fasten the cam band.



The cam buckle itself threads largely the same way as most others. Nevertheless, this confuses many divers.

To help matters, the slots on the under side of the buckle are numbered 1, 2 and 3, representing the order in which the cam strap weaves through the buckle.

To thread the cam buckle correctly, follow these steps:



Figure 5c Step one

**Please Note:** The single biggest mistake divers make when threading cam buckles is that they fail to flip the buckle over and thread the webbing from underneath.

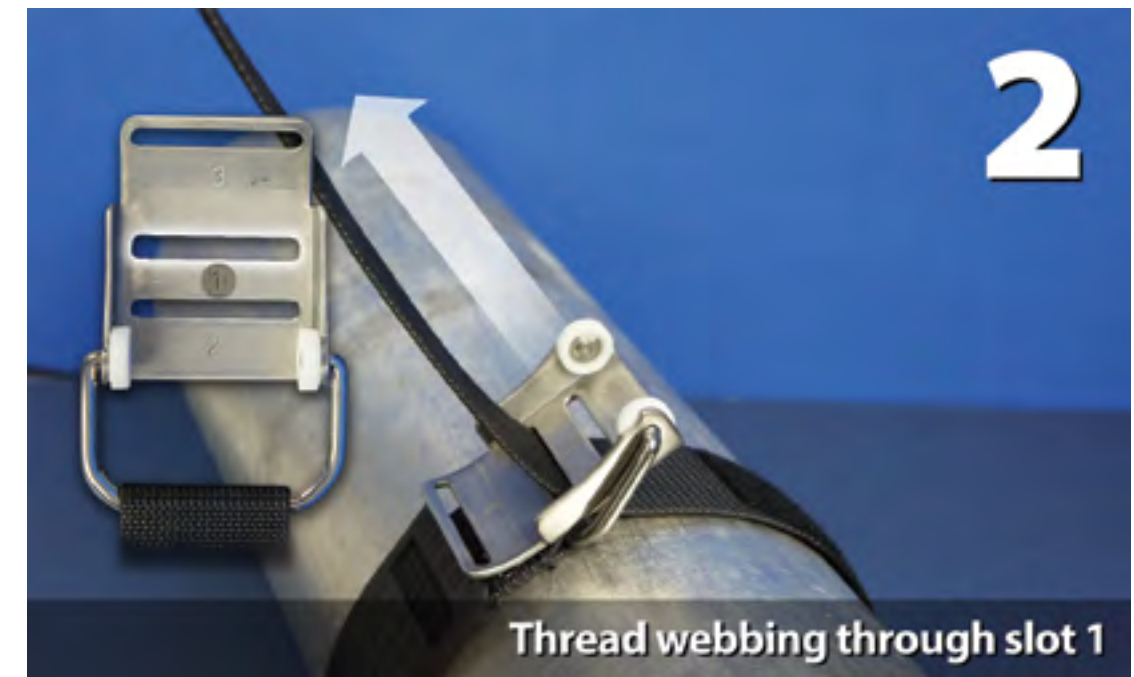


Figure 5d: Step two



Figure 5e: Step three

At this point, pull the cam strap as tight as possible, and continue to hold it while progressing to step four.



CLICK FOR CONTENTS



Figure 5f: Step four



Figure 5g Step five

The best way to ensure the cam band is sufficiently snug is to reach down see whether you can move it up or down the cylinder while fastened. It should not move at all. If it does move, re-tighten it. Be aware the cam band may stretch when wet; it's best to make it as snug as possible.



CLICK FOR CONTENTS

## **⚠ WARNING**

To prevent accidental tank loss, make sure the straps are tight enough so that the cylinder cannot move or slide on the BC. Failure to do so could result in serious personal injury or death.

## 6.0 Donning/Adjusting Your BC

### 6.1 Donning Your BC

## **⚠ WARNING**

Adjust the BC so that it does not restrict your breathing when fully inflated. Restriction of normal breathing while wearing your BC could result in serious personal injury or death.

To ensure proper fit while diving, the BC should be donned according to the following sequence:

- Assuming you already have the Hydro Lite attached to the tank, loosen the chest strap and waist belt. Make sure the crotch strap is disconnected.
- Slide your arms into the shoulder straps and fasten the chest strap. Make sure the shoulders of the BC lie parallel to one another. Do not over-tighten the chest strap.
- Fasten the waist belt, making sure it is snug around the waist, slightly below the navel.
- If your tank is resting on a bench or table, now lift the tank onto your back leaning forward slightly to carry the



weight. The tank should now be free of any platform and simply resting on your back.

- Fasten the crotch strap, ensuring it is snug enough to slightly pull the waist strap down in a V pattern.
- Now tighten the shoulder straps, pulling on the tabs of each strap backward and downward toward your lumbar.
- Rock gently from side to side and make sure your entire rig is moving with you and not slipping anywhere.
- Fully inflate the wing and make sure it does not restrict your breathing or movement.

**Video:** For more information, see our helpful video series at [www.DiveRite.com/DiveRiteTV](http://www.DiveRite.com/DiveRiteTV).

## 6.2 Adjusting Your BC

Once you fit the Hydro Lite to your stature, it is important to understand how to customize the fit for your personal enjoyment and best product performance.

### Shoulder Strap Adjustment

To change shoulder-strap length, begin by unthreading them at the top of the harness. Shorten or lengthen as needed, then re-thread them as they were before.

**Please Note:** If making adjustments, adjust one shoulder at a time, using the other as a visual reference.

### Sizing the Crotch Strap

The crotch strap is an essential part of a high-performing and well-fitted harness system. It keeps the harness in place during water entry and keeps the BC from shifting upwards



on the body, reducing the likelihood of the tank touching the back of the head during a dive. The Hydro Lite comes standard with a 38 mm/1.5 in crotch strap with side-release buckle.

- The crotch strap should fit snugly, but not be uncomfortable. Size the crotch strap to your stature, making sure you leave enough excess webbing for fine tuning.
- Once you determine the correct length, adjust the crotch strap accordingly. To do so, unweave the loose end of the webbing through the belt slide on the crotch strap. Adjust the webbing to the desired length by loosening or tightening the webbing at the attachment point on the BC. When it is set for the desired length, weave the loose end of the webbing through the belt slide on the crotch strap.
- Crotch strap placement on the waist strap is determined by preference. Most users will likely want the stainless buckle to be slightly to the right, so that they crotch strap can be centered. Whatever placement you choose, make sure it does not interfere with movement.

**Video:** For more information, see our helpful video series at [www.DiveRite.com/DiveRiteTV](http://www.DiveRite.com/DiveRiteTV).



## 7.0 BC Inflation and Deflation

### 7.1 Connecting the Low-Pressure Inflator

#### **! WARNING**

Do not attach a low-pressure (LP) hose to a regulator high-pressure (HP) port or to an air supply with pressure in excess of 14 bars/200 psi. This may result in damage or explosive failure of the low-pressure hose and/or power inflator assembly, and result in serious personal injury or death.

To attach the low-pressure hose to the BC inflator assembly:

- Make sure both fittings are free of contamination.
- Pull back the collar of the quick-disconnect coupling, while pushing the hose firmly onto the nipple found on the power inflator.
- Release the collar when the coupling is fully seated on the nipple. Pull gently but firmly on the low-pressure inflator hose to check for a secure connection.
- To disconnect, pull the collar back and disengage the LP hose from the nipple.

#### **! WARNING**

Repeated use of the oral inflator or overpressure valve may allow water inside the BC, reducing the amount of buoyancy provided by the BC. This could result in serious personal injury or death. Drain all water out of the BC prior to and after every use.



## 7.2 Low-Pressure Inflator Operation

- To inflate the BC, press the power inflator button. Air should enter the BC.

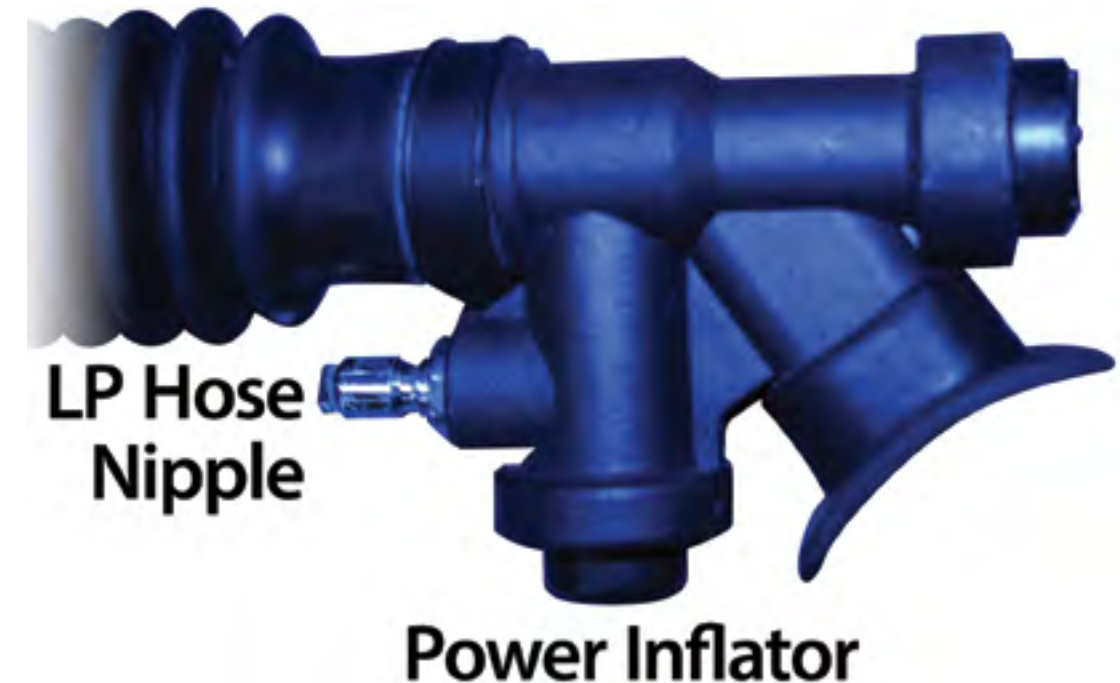


Figure 7a: Power inflator button

## 7.3 Oral Inflation

The oral inflator is located on the end of the low-pressure inflator assembly. Oral inflation should only be used in the event of power inflator failure.

To use the oral inflator:

- Exhale a small amount of air into the mouthpiece to purge any water that may be trapped there.
- With the same breath, continue to exhale while fully depressing the oral inflation/manual deflation button.



Figure 7b: Oral inflator

- Release the button before taking your mouth off the mouthpiece. Failure to do so can result in loss of inflation and buoyancy.
- Repeat these steps until the desired amount of buoyancy is reached.

## 7.4 BC Deflation

### Using the Oral Inflation/Manual Deflation Button

- Turn your body so the elbow where the large-diameter BC inflator hose attaches to the air cell is the highest point.
- Hold the inflator hose so that the mouthpiece is higher than the inflator hose connection point on the BC.
- Depress the oral inflation/manual deflation button in short bursts until you release the desired amount of air.



## **! WARNING**

Keep sand, debris, and other contaminants out of the oral inflation/manual deflation mechanism. Under certain conditions, contamination can cause the valve to not close completely. If this occurs while diving, shake the valve while depressing it several times. If the valve leaks or remains inoperable, terminate the dive. Diving with a leaking BC or with valves that do not operate properly may result in a loss of buoyancy control that could result in serious personal injury or death.

### Using Remote Exhaust Valve

Hydro Lite air cells are equipped with a remote exhaust valve at the point where the large-diameter BC inflator hose joins the air cell. This valve is activated by pulling down on the inflator assembly. To vent air using the remote exhaust valve:

- Turn your body so the elbow where the large-diameter BC inflator hose attaches to the air cell is the highest point.
- Pull down on the low-pressure inflator assembly until you hear air escaping. Stop pulling down on the valve to stop air flow.
- Continue to release air in short bursts until you achieve the desired state of buoyancy.

**Please Note:** Remote exhaust valve travel is limited; you will not release air any faster by pulling harder.



Figure 7c: Remote exhaust and overpressure relief valves

### Using Overpressure Relief Valve

The air cell's overpressure relief valve helps prevent accidental overinflation of the BC. It is designed to open automatically when pressure inside the air cell reaches approximately 0.14 bars/2.0 psi over ambient pressure.

The overpressure relief valve is equipped with a pull cord and can also be used for manual air cell deflation. This may be helpful when in a head-down/feet-up position, when neither the oral inflator or remote exhaust valve are the highest points on the air cell. To do so:

- Turn your body so that the overpressure relief valve is the highest point on the air cell.
- Pull out on the pullcord until you hear air escaping. Stop pulling down on the cord to stop air flow.
- Continue to release air in short bursts until you achieve the desired state of buoyancy.

**Please Note:** Overpressure-relief valve travel is limited; you will not release air any faster by pulling harder.



## General Recommendations

- With all deflation methods, hold the valve open no longer than needed. This helps prevent excess water from entering the BC.
- Do not depress the oral inflator button when activating the remote exhaust or overpressure relief valve, as water may enter the BC through the oral inflator mouthpiece.

## 8.0 Pre/Post-Dive Procedures

Pre-dive and post-dive BC examination helps to identify equipment problems before unsafe conditions exist, preventing accidents. All equipment must be regularly inspected by an authorized Dive Rite equipment repair facility.

### **⚠ WARNING**

*Do not* dive with a BC that does not pass any of the pre-dive or post-dive inspections and tests. Loss of buoyancy control or air holding integrity could occur, resulting in serious personal injury or death.

### 8.1 Pre-Dive Inspection/Valve Test

- Examine the entire BC for cuts, punctures, frayed seams, excessive abrasion, loose/missing hardware and other damage of any kind.
- Inspect the oral inflator, power inflator, remote exhaust and overpressure relief valves for cracks, damage, or contamination.





- Check to make sure the oral inflator, remote exhaust and overpressure relief valves open when activated and seal properly when released.
- Connect the low-pressure inflator hose to the BC, turn the air all the way on, then check to make sure the inflator adds air when you press the button, and stops adding air when you release it. If the BC inflates on its own, *do not* use it; have it inspected and repaired by an authorized Dive Rite dealer.
- Inflate the BC air cell until it is firm. Listen and check for leaks. Let the BC stand inflated for 30 minutes or more, then check to make sure there has been no significant air loss.
- Soak the cam band in water and attach the BC to your tank. Perform the test outlined earlier to make sure the band does not move or slip.
- While wearing the BC, adjust the straps and other attachments on the BC for a comfortable fit that does not restrict breathing. Make these adjustments with the BC inflated and while wearing the exposure suit you intend to dive with.

## **WARNING**

*Do not* dive with a BC that is damaged, leaks air or does not function properly. Terminate any dive as safely and quickly as possible if the BC becomes damaged, leaks air or does not function properly.



## 8.2 Post-Dive Cleaning

With proper care and service, your BC will provide you years of safe, enjoyable use. Without proper care, your BC can become damaged and be either unserviceable or dangerous to use.

**Please Note:** Marine grade stainless steel can develop rust over time even when properly cared for.

- Clean the BC only with fresh water and mild soap. Chemicals, strong detergents, and cleaning solutions can damage the BC and shorten its life.
- Rinse the BC thoroughly with cool, fresh water after every use. To do this depress the oral inflator button and hold the mouthpiece up to a running water source (hose, faucet, etc).
- Fill the BC air cell approximately one quarter full with clean fresh water through the oral inflator.
- Orally inflate the BC and shake to distribute water inside of the BC.
- Hold the BC upside down, depress the oral inflator button and allow all water and air to drain from the mouthpiece.
- Repeat one or two more times.
- Rinse the entire BC with fresh water by dipping in a tub or spraying with a hose.
- Rinse all valves to make sure all sand and other debris is removed.
- Allow the BC to dry thoroughly. Make sure it is not in direct sunlight. Store slightly inflated.



## **WARNING**

Avoid prolonged or repeated exposure to chlorinated water, such as in swimming pools. Wash your BC immediately after any use in chlorinated water. Chlorinated water can oxidize fabrics and materials on your BC, thereby shortening their life, and cause colors (especially neon) to fade. Damage and fading from prolonged exposure to chlorinated water is specifically not covered under warranty.

---

### 8.3 Transportation, Storage and General Protection

- The sun's ultraviolet rays can fade and damage the Hydro Lite, shortening its life. Store the BC away from sunlight and excessive heat.
- Keep sharp objects from coming into contact with the BC. Do not rest heavy objects on the BC or drag it over rough surfaces.
- Avoid excessive pool use. Chlorinated water can lead to premature discoloration and shorten the products life.

### 8.4 Inspection and Service Interval

Your BC should be inspected and maintained at an authorized Dive Rite service center at least once a year, more often if you dive frequently. Any damage caused due to failure to properly maintain the BC is not covered by the warranty.



## **WARNING**

Due to heavy usage, BCs used for rental/diving centers, professional purposes or other intensive use must be checked at least every six months. Overall condition and main safety parts such as the air cell, valves, elbow, corrugated hose and inflator mechanism must be inspected. If any of the above parts show wear or diminished performance it should be replaced immediately or removed from usage, if replacement is not possible.

---

### 9.0 Warranty

- Dive Rite will — at its sole discretion — repair or replace Hydro Lite components proved to be damaged by faulty manufacture or material, at no cost, for the lifetime of the BC.
- This warranty applies only to the original purchaser. It does not cover commercial or rental use, nor does it extend to units purchased from entities other than an authorized Dive Rite dealer.
- This warranty specifically excludes color changes, light fastness, or fading. Dive Rite does not accept responsibility for stains or transference or bleeding of color to other items.
- To make a claim under the warranty, the owner must have registered their BC on our website at [www.DiveRite.com](http://www.DiveRite.com). All warranty repairs should be accompanied by a copy of the purchase receipt. A Return Authorization (RA) can be obtained by calling Dive Rite at 800-495-1046 or e-mail



at [Service@DiveRite.com](mailto:Service@DiveRite.com). Before shipping, ensure that the BC is adequately packaged and protected.

- Dive Rite is not responsible for any shipping costs incurred, regardless of warranty status.
- Dive Rite is not responsible for any damage that may occur during shipping.
- Repairs made under the warranty will not extend the warranty period.
- All further claims, especially for damage after diving accidents, are excluded from coverage under this warranty.
- Dive Rite has no obligation to honor any extension of this warranty.
- This warranty is in lieu of all other warranties, express or implied. No other person or representative is authorized to assume for Dive Rite any other liability in connection with the sale of this product.

For additional information about our distributors and dealers, see our web site at: [www.DiveRite.com](http://www.DiveRite.com).

**Support:** All Dive Rite products receive our commitment to excellence in customer service from your fellow divers. Contact us with any questions at [Support@DiveRite.com](mailto:Support@DiveRite.com) or phone at (386) 752-1087, Monday through Friday, 9:00 AM-4:00 PM, Eastern Time.

## 9.1 Warranty Registration

You must register your Hydro Lite for the warranty to be in force. To do so, go to [www.DiveRite.com/product-registration](http://www.DiveRite.com/product-registration).







**DIVE RITE®**